

Fluid-o-Tech brass rotary vane pumps, clamp mount



The inlet and outlet ports are 3/8" NPT threaded.

The pump is equipped with a built-in by-pass; a special balanced by-pass (able to maintain the set pressure for variations of the inlet pressure) is available upon request.

A built-in mechanical filter with a 71 mesh screen is available on all models.

All models, upon request, are available:

- with special clearances (suffix - H) for temperature higher than 70 °C (158 °F) max 90 °C (194 °F)
- with Viton/EPDM seals (suffix - V/E) for special fluids
- NSF listed pumps for potable water. PA series.
- WRAS approved pumps. POW series.

The rotary vane pumps, manufactured by Fluid-o-Tech and sold worldwide under the trademark Rotoflow, are volumetric pumps designed for pumping water and moderate aggressive liquids with low flow at high pressure.

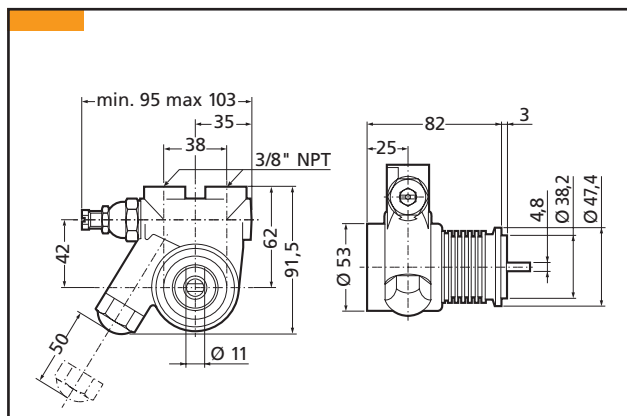
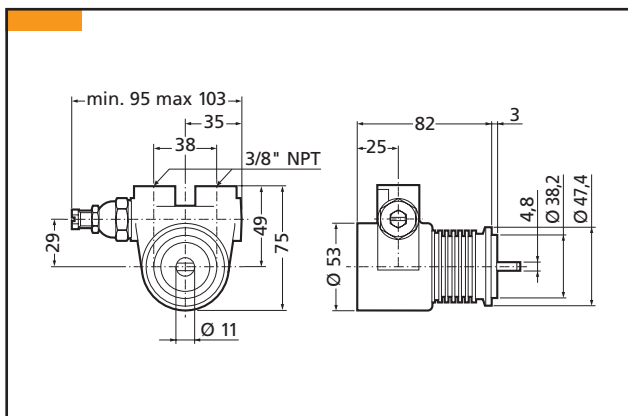
Technical features and manufacturing characteristics

The rotary vane pump is brass made with a stainless steel AISI 303 rotor, while the pumping chamber and the vanes are in graphitic carbon.



Main applications

- Beverage vending machines
- Post-mix drink dispensers
- Espresso coffee machines
- Cooling systems
- Reverse osmosis
- Ultra-filtration



Fluid-o-Tech
www.fluidotech.it

Via Morimondo, 23
20143 Milano - Italy
Tel. (39) (02) 8917071
Fax (39) (02) 89170799

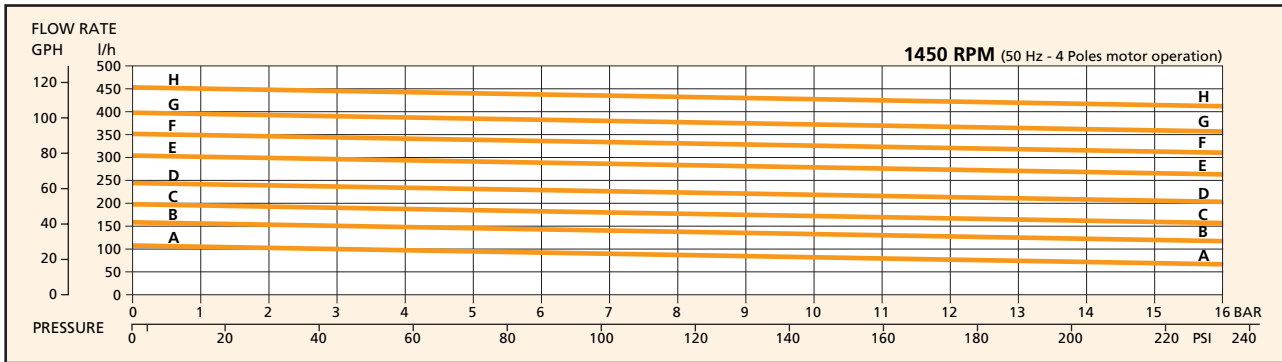
161 Atwater St.,
Plantsville CT (USA) 06479
Tel. (1) (860) 276-9270
Fax (1) (860) 620-0193

6F, 2-19-2, Akasaka,
Minato-ku, Tokyo 107-0052 Japan
Tel. (81) (0) 3-3585-8471
Fax (81) (0) 3-3585-8472

Fluid-o-Tech brass rotary vane pumps, clamp mount

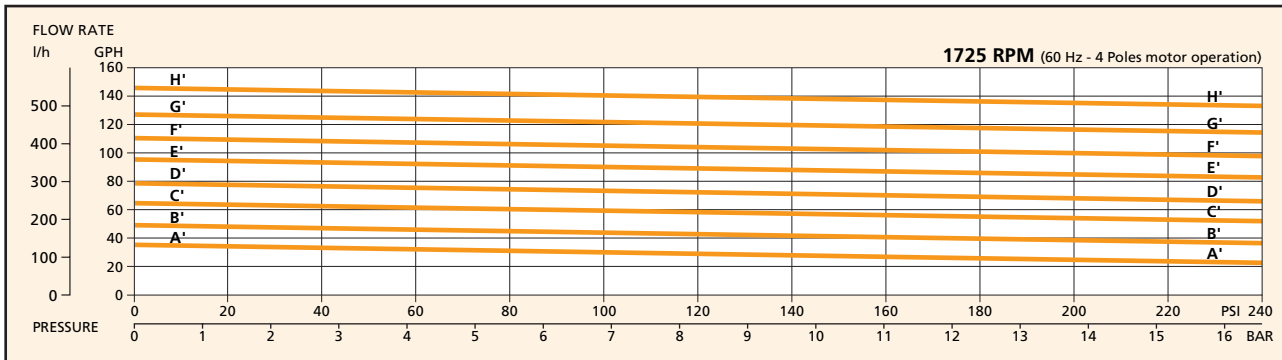
MODEL PO/PA	070	071	074	071x	074x	100	101	104	101x	104x	1500	1501	1504	1501x	1504x	200	201	204	201x	204x
Flow (l/h) at 2 BAR			100					150					190					236		
Flow (l/h) at 7 BAR			89					139					179					225		
Flow (l/h) at 14 BAR			70					120					160					206		
Figure			A-A					B-B					C-C					D-D		
By-Pass	NO	STD	BAL	STD	BAL	NO	STD	BAL	STD	BAL	NO	STD	BAL	STD	BAL	NO	STD	BAL	STD	BAL
Built in filter	NO	NO	NO	YES	YES	NO	NO	NO	YES	YES	NO	NO	NO	YES	YES	NO	NO	NO	YES	YES

MODEL PO/PA	2500	2501	2504	2501x	2504x	300	301	304	301x	304x	3500	3501	3504	3501x	3504x	400	401	404	401x	404x
Flow (l/h) at 2 BAR			295					345					390					445		
Flow (l/h) at 7 BAR			284					334					379					434		
Flow (l/h) at 14 BAR			265					315					360					415		
Figure			E-E					F-F					G-G					H-H		
By-Pass	NO	STD	BAL	STD	BAL	NO	STD	BAL	STD	BAL	NO	STD	BAL	STD	BAL	NO	STD	BAL	STD	BAL
Built in filter	NO	NO	NO	YES	YES	NO	NO	NO	YES	YES	NO	NO	NO	YES	YES	NO	NO	NO	YES	YES



MODEL PO/PA	070	071	074	071x	074x	100	101	104	101x	104x	1500	1501	1504	1501x	1504x	200	201	204	201x	204x
Flow (GPH) at 20 PSI			34					49					64					78		
Flow (GPH) at 100 PSI			30					45					60					74		
Flow (GPH) at 200 PSI			24					39					54					88		
Figure			A'-A'					B'-B'					C'-C'					D'-D'		
By-Pass	NO	STD	BAL	STD	BAL	NO	STD	BAL	STD	BAL	NO	STD	BAL	STD	BAL	NO	STD	BAL	STD	BAL
Built in filter	NO	NO	NO	YES	YES	NO	NO	NO	YES	YES	NO	NO	NO	YES	YES	NO	NO	NO	YES	YES

MODEL PO/PA	2500	2501	2504	2501x	2504x	300	301	304	301x	304x	3500	3501	3504	3501x	3504x	400	401	404	401x	404x
Flow (GPH) at 20 PSI			95					111					127					144		
Flow (GPH) at 100 PSI			91					107					123					140		
Flow (GPH) at 200 PSI			85					101					117					134		
Figure			E'-E'					F'-F'					G'-G'					H'-H'		
By-Pass	NO	STD	BAL	STD	BAL	NO	STD	BAL	STD	BAL	NO	STD	BAL	STD	BAL	NO	STD	BAL	STD	BAL
Built in filter	NO	NO	NO	YES	YES	NO	NO	NO	YES	YES	NO	NO	NO	YES	YES	NO	NO	NO	YES	YES



Pump weight: 1,1 kg / 2.5 Lbs (clamp mount) 1,3 kg / 2.9 Lbs (clamp mount w/strainer) - Characteristics at constant motor speed, water at 20 °C / 68 °F and by-pass blocked
 For applications involving other fluids, high temperatures or unusual processing conditions, please consult the factory or an authorized Fluid-o-Tech distributor

PO - B - 02/03 Ed.



Fluid-o-Tech
 www.fluidotech.it

Via Morimondo, 23
 20143 Milano - Italy
 Tel. (39) (02) 8917071
 Fax (39) (02) 89170799

161 Atwater St.,
 Plantsville CT (USA) 06479
 Tel. (1) (860) 276-9270
 Fax (1) (860) 620-0193

6F, 2-19-2, Akasaka,
 Minato-ku, Tokyo 107-0052 Japan
 Tel. (81) (0) 3-3585-8471
 Fax (81) (0) 3-3585-8472