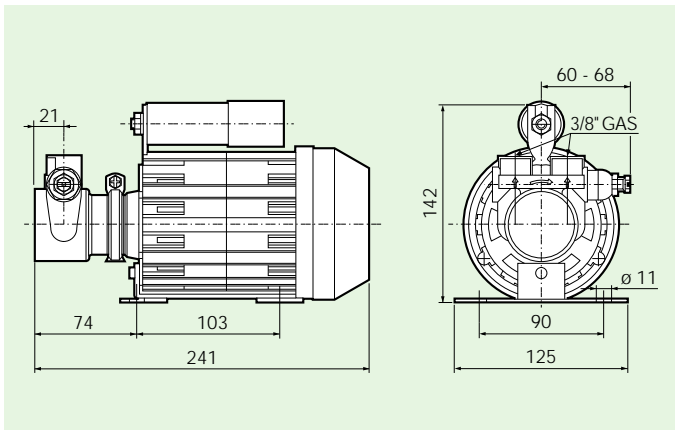


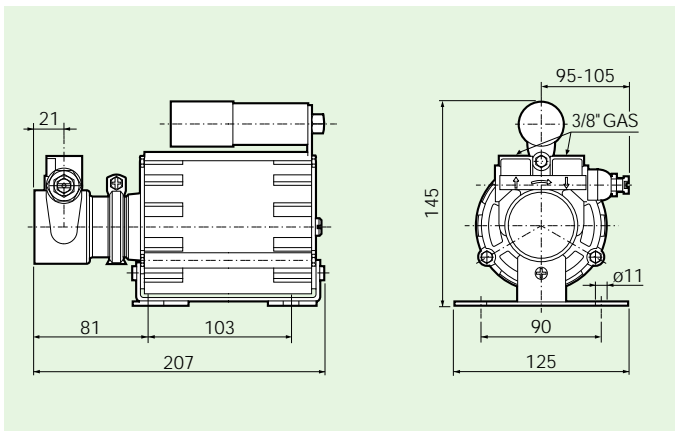
Fluid-o-Tech rotary vane pumps "Compact"



6900428 (Continuous Duty)



6900098 (Intermittent Duty)



The rotary vane pumps "Compact", manufactured by Fluid-o-Tech and sold worldwide under the trademark Rotoflow, are the smallest volumetric pumps now available on the market for pumping water and moderate aggressive liquids.

Technical features and manufacturing characteristics

The rotary vane pump "Compact" is brass made with a stainless steel AISI 304 rotor, while the pumping chamber and the vanes are made of graphitic carbon. The inlet and outlet ports are 3/8" GAS threaded.

The pump is equipped with a built-in balanced by-pass able to maintain the set pressure for variations of the inlet pressure.

Electrical motor characteristics

Drive type	6900428	6900098
Voltage (V)	230 AC	230 AC
Frequency (Hz)	50	50/60
Poles	4	4
Rated speed (rpm)	1320	1320
Current consumption (A)	1	1,4
Output power (W)	120	120
Pump motor weight (kg)	4	4,1

- NSF listed pumps for potable water
- In this case the prefix for each model is PA instead of PO.



Main applications

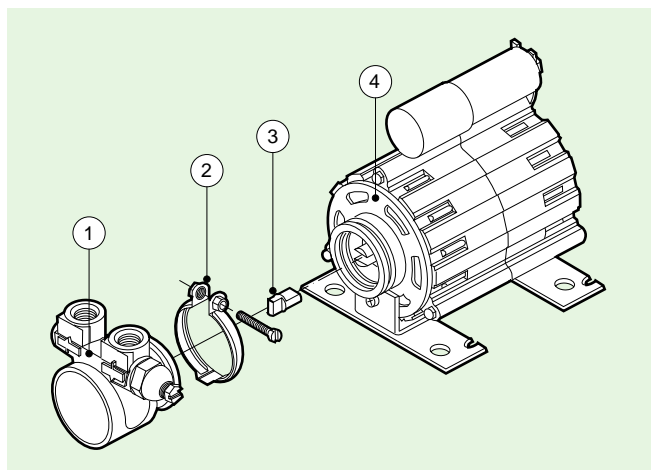
- Beverage vending machines
- Espresso coffee machines
- Reverse osmosis
- Ultra-filtration
- Cooling systems



Fluid-o-Tech srl
 20143 Milano - Via Morimondo, 23
 Tel. (39) 02 8917071 - Fax (39) 02 89170799
<http://www.fluidotech.it>

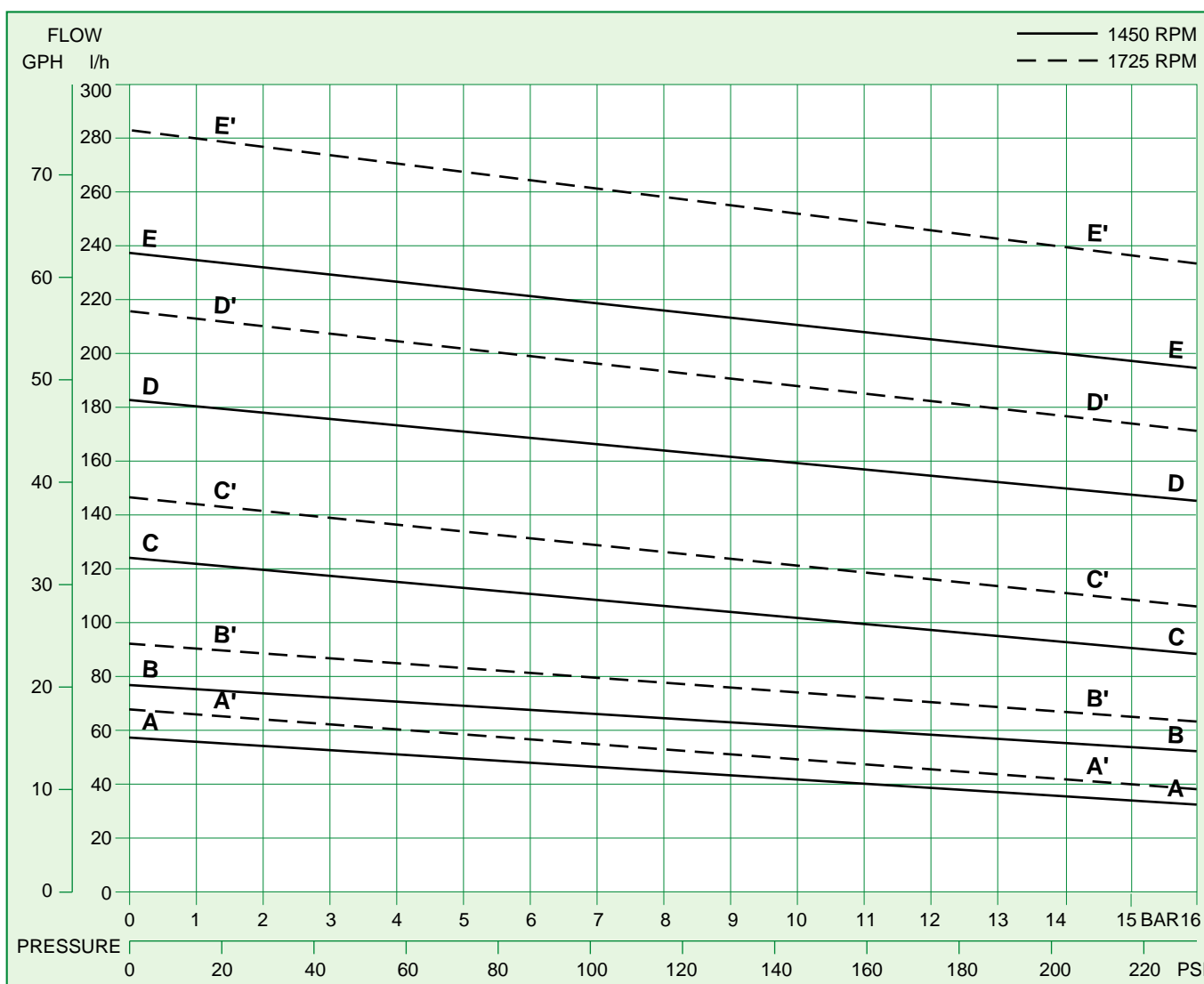
Fluid-o-Tech International, Inc
 161 Atwater St., Plantsville, CT 06479
 Tel. (860) 276-9270 - Fax (860) 620-0193

Fluid-o-Tech rotary vane pumps "Compact"



Pos.	Description	Intermittent duty	Continuous duty
1	Pump	-	-
2	V-band clamp	3000160	3000160
3	Coupling	6000910	6000910
4	Driver	6900098 (C0137.00)	6900428 (C0137.18)

Model	By-Pass	Figure at 50 Hz	Figure at 60 Hz
PO 032	BALANCED	A-A	A'-A'
PO 052	BALANCED	B-B	B'-B'
PO 102	BALANCED	C-C	C'-C'
PO 152	BALANCED	D-D	D'-D'
PO 202	BALANCED	E-E	E'-E'



- Characteristics with water at 20 C and by-pass blocked

- Figures of flow are averages - Pump weight: 0,9 kg - Use filter before pump inlet not larger than 20µ



Fluid-o-Tech srl

20143 Milano - Via Morimondo, 23 - Tel. (39) 02 8917071 - Fax (39) 02 89170799 - <http://www.fluidotech.it>

COMP. - 06 99 ED